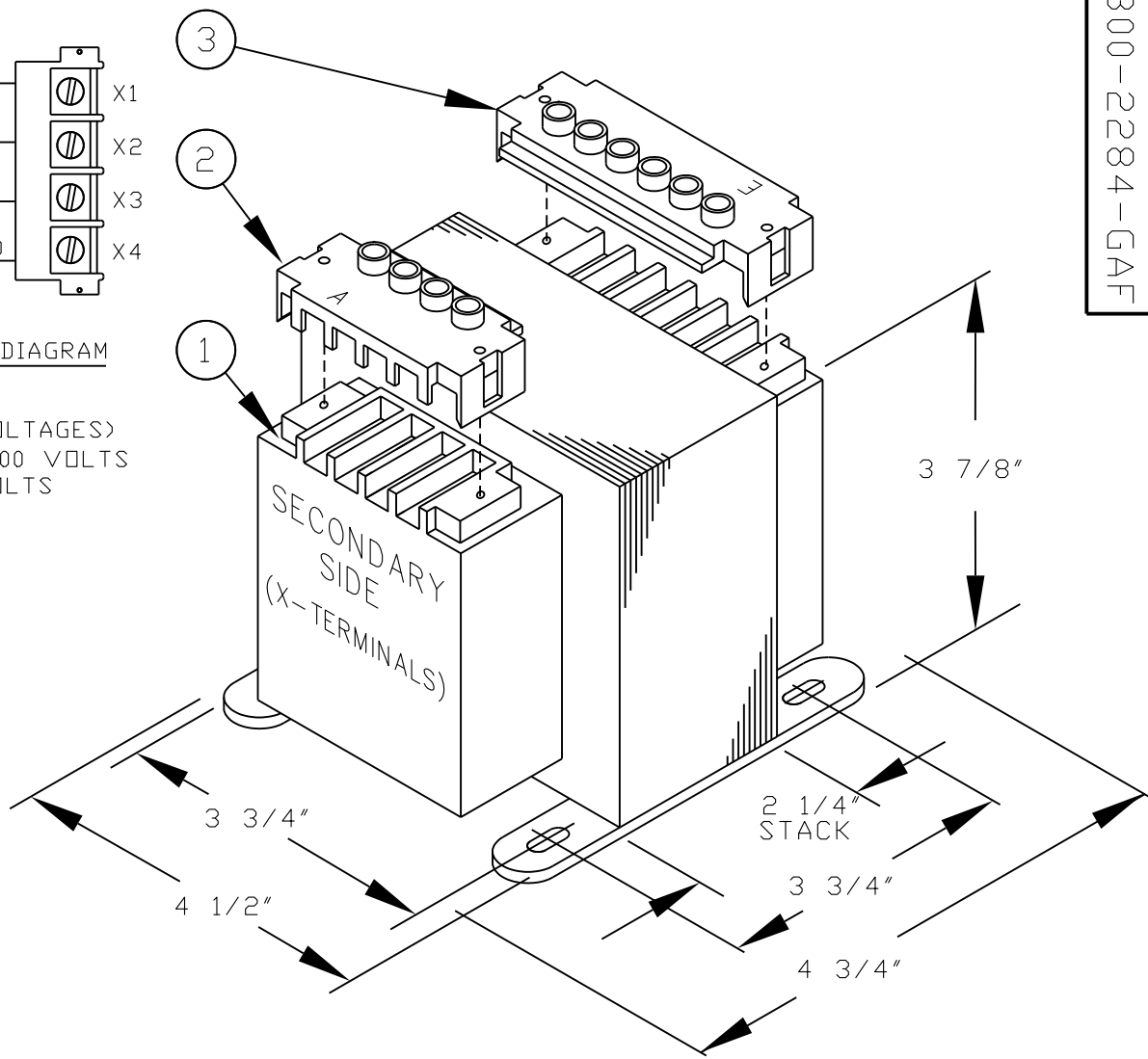


RATING: 300VA 50/60HZ
 (UNIVERSAL VOLTAGES)
 PRI. 240/416/480/600 VOLTS
 SEC. 99/120/130 VOLTS
 TEMP.CLASS 130
 PER IEC 558



Assembly instructions: _____

α	APPLY LABELS PER 361-0020
ASSEMBLY Instructions	
8	
7	
6	
5	
4	
3	TERMINAL COVER "E"
2	TERMINAL COVER "A"
1	BASE MODEL 626-0038
IT	ITEM DESCRIPTION

FOR TEST REQUIREMENTS SEE: 626-0038

TREATMENT:
 IMPERV VALU ECON GLOBAL
 VACUUM IMPREGNANT, TYPE _____
 OTHER _____

See BILL OF MATERIAL for ITEM Quantity and Part Number

DATE	2/2/04	DRAWN	J.G.V.	CHECKED
RELEASE DATE		CUSTOMER PART NO.		
DRAWING NAME				
FINAL ASSEMBLY				

G	NEW	J.V	2/2/04
ECL	REVISIONS	BY	DATE

SIZE	A	SCALE	NONE
B300-2284-GAF			